


VITEK 2™
— compact



The Compact Solution

from diagnosis,
the seeds of better health


BIOMÉRIEUX

Putting the Patient First

Antimicrobial resistance is threatening to significantly reduce the available arsenal of antimicrobials. As a microbiologist, you play a crucial role in providing information that leads to improved **therapeutic success** and **patient outcome**⁽¹⁾ – an increasingly difficult task given the rise in antimicrobial resistance. Helping the clinician select the **best treatment fast** based on the **right identification and resistance information** is crucial.

With VITEK[®] 2 Compact, you can accomplish all this in **less time** and still focus on those tough tasks requiring a microbiologist's specialised skills. This **highly automated** system provides same-day identification and antibiotic susceptibility results.



Same day results

VITEK 2 Card - A unique concept in ID/AST

- Designed to provide ID/AST results in as little as **5 to 8 hours**.⁽²⁾
- Reduced hands-on time, **no additional reagents** are required
 - Optimised user **safety** as it is a closed disposable
 - **Maximum traceability** provided with the pre-applied card barcodes
 - **Lightweight reduces disposable costs**



In just 3 easy steps

Standardization

After primary isolation, handling is minimized in a simple **inoculum preparation**, **standardization** and **dilution** step. The standardized inoculum is placed into the cassette and a sample identification number is entered into the computer software via barcode.

Traceability

The VITEK 2 card type is then read from the barcode placed on the card during manufacture and the card is thus connected to the sample ID. Manufacturer barcodes link the card to patient information in **this one easy barcode reading step**.

Load and Go

Place the cassette in the filler module. When the cards are filled, transfer the cassette to the reader/incubator module. All subsequent steps are handled by the instrument.

(1) Barenfanger et al, JCM, May 1999, Vol 37, No 5
(2) Rommler, et al, Poster C-123, ASM Orlando, May 2006

VITEK 2™ — compact



ID/AST
Load & Go



Results at a Glance !

We have designed the VITEK® 2 software to help you get your results out fast.

- **Intuitive, easy-to-use**, familiar Windows-design layout
- **Easy access** to ID and AST results using the navigation tree and filters
- **Rapid result searches** by patient, bench, date tested, organism, technologist, accession number
- Simple bidirectional connection with your LIS
- **Automatic validation and transfer** of preliminary results



Hands-on-Time
Improve Your Workflow

Antibiotic Choice Made Easy

To facilitate choosing the most appropriate antibiotic, bioMérieux has developed the **Advanced Expert System™ (AES)** to provide rapid, accurate "fingerprint" recognition of bacterial resistance mechanisms.

Green indicator: fully consistent results

Yellow indicator: inconsistent result, review requested

Red indicator: unknown phenotype, check results

Purple indicator: phenotype not in database

AES even recommends therapeutic changes when resistant phenotypes are recognised to help ensure therapeutic success.



BIOMÉRIEUX



PC + Software

VITEK[®] 2 Compact

Designed for Efficiency

- Choose a module designed for 30 or 60 cards.
- A system is comprised of a PC, Reader/Incubator.
- Capable of performing Gram-Negative, Gram-Positive and Yeast Identification and Susceptibility Tests.
- Increase work capacity by connecting 2 Reader/Incubator Modules together.

Weight:

VITEK 2 Compact 30/60:
(30/60 card capacity) 75 kg (165 lb)

Electrical Power Requirements:

- 100/120 VAC (50-60 HZ)
- 220/240 VAC (50-60 HZ)

Heat Dissipated:

VITEK 2 Compact: 1025 BTU/Hr. (nominal)

Environmental Requirements:

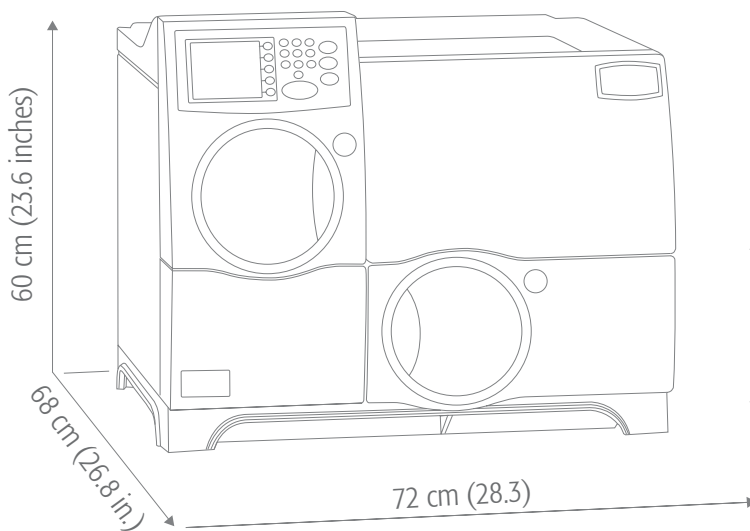
- Operating Ambient Temperature Range: 59°F-86°F (15°C to 30°C)
- Operating Humidity Range: 20% to 80% relative humidity, non-condensing

Altitude:

up to 2000 m.

Capacity:

30 or 60 cards (2 modules can be connected to the same computer).



bioMérieux S.A.
69280 Marcy l'Etoile
France
Tel. : 33 (0)4 78 87 20 00
Fax : 33 (0)4 78 87 20 90

www.biomerieux.com

